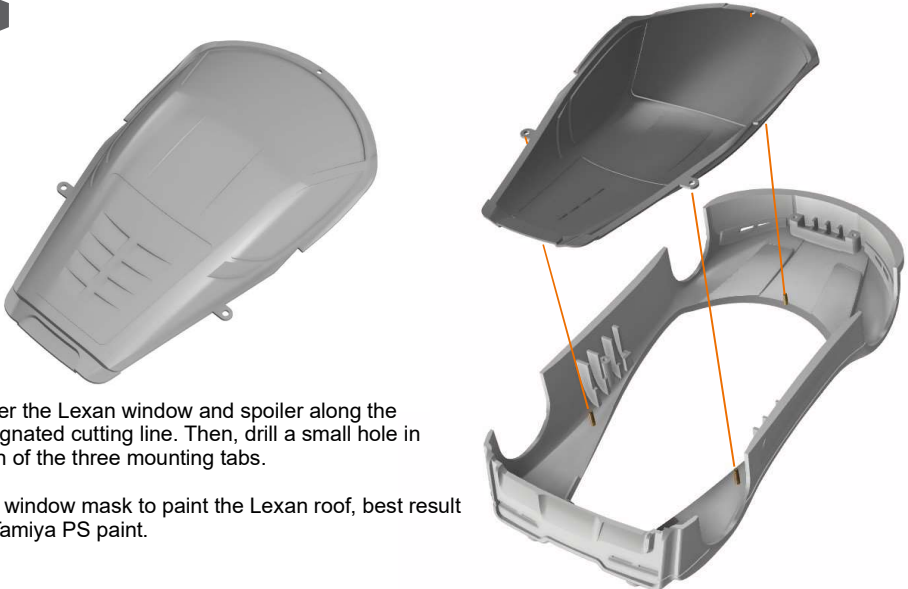


# #600500 Mini-Z Concept C9 ABS Car Body Kit

**1**

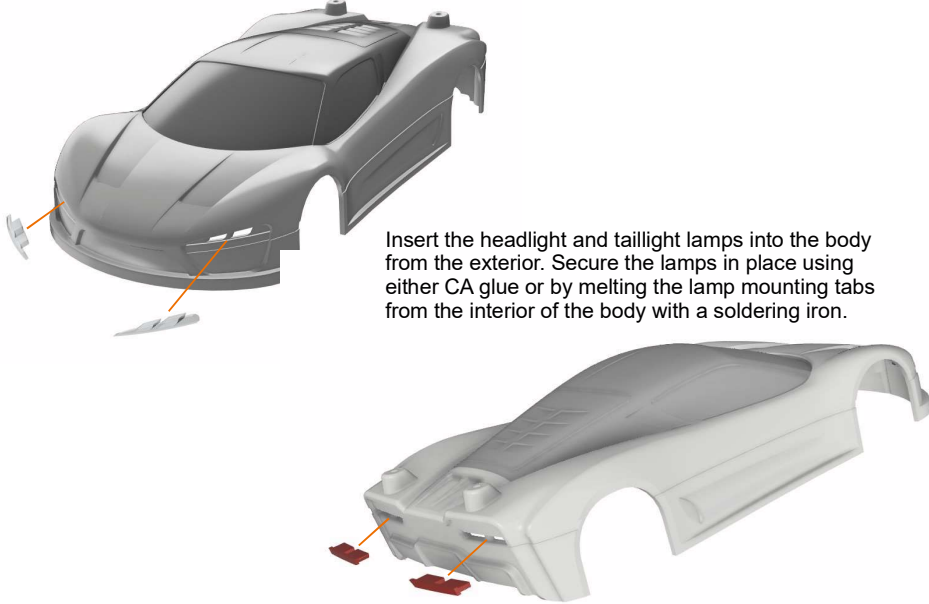


Sever the Lexan window and spoiler along the designated cutting line. Then, drill a small hole in each of the three mounting tabs.

Use window mask to paint the Lexan roof, best result by Tamiya PS paint.

Position the Lexan window on the main body, aligning the mounting tabs with the guide pins. Secure the Lexan window to the body by melting the guide pins with a soldering iron or put CA glue.

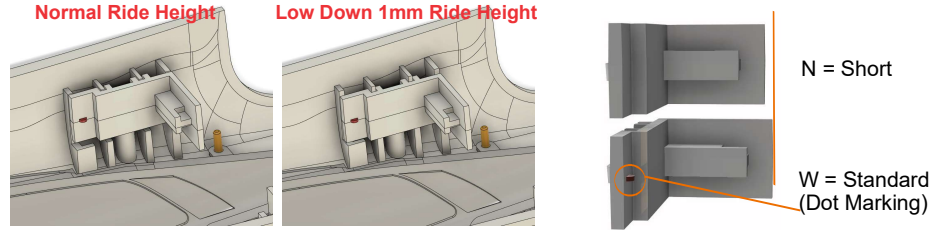
**2**



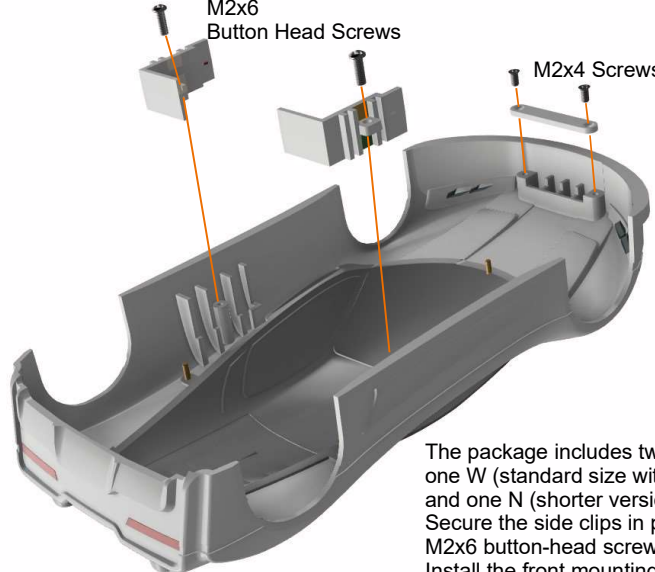
Insert the headlight and taillight lamps into the body from the exterior. Secure the lamps in place using either CA glue or by melting the lamp mounting tabs from the interior of the body with a soldering iron.

**3**

**Normal Ride Height**      **Low Down 1mm Ride Height**



1. Flip Left and Right Body clip to change the ride height  
2. If needs add the shims between body and clip, you can low down too.

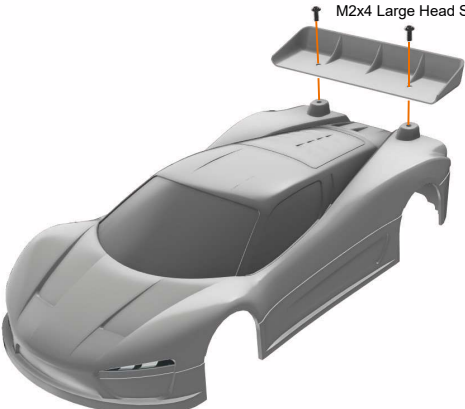


M2x6 Button Head Screws

M2x4 Screws

The package includes two sizes of side body clips: one W (standard size with a dot marking) and one N (shorter version for bulkier chassis). Secure the side clips in place using the included M2x6 button-head screws. Install the front mounting bar using the included M2x4 screws.

**4**



M2x4 Large Head Screws

**Spare Parts:**  
 #600521W Mounting Parts W  
 #600521N Mounting Parts N  
 #600531 Clear Lens Set  
 #600532 Red Lens Set  
 #600510 Lexan Roof and Rear Wing

**Optional Parts:**  
 #CP650 Carbon Fiber Adapter  
 #600640 Touring Car Lexan Wing