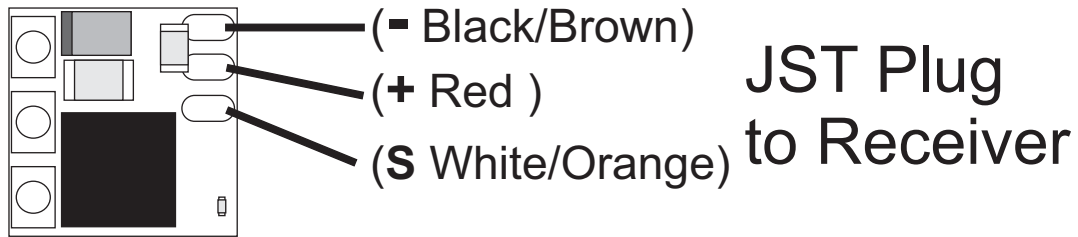




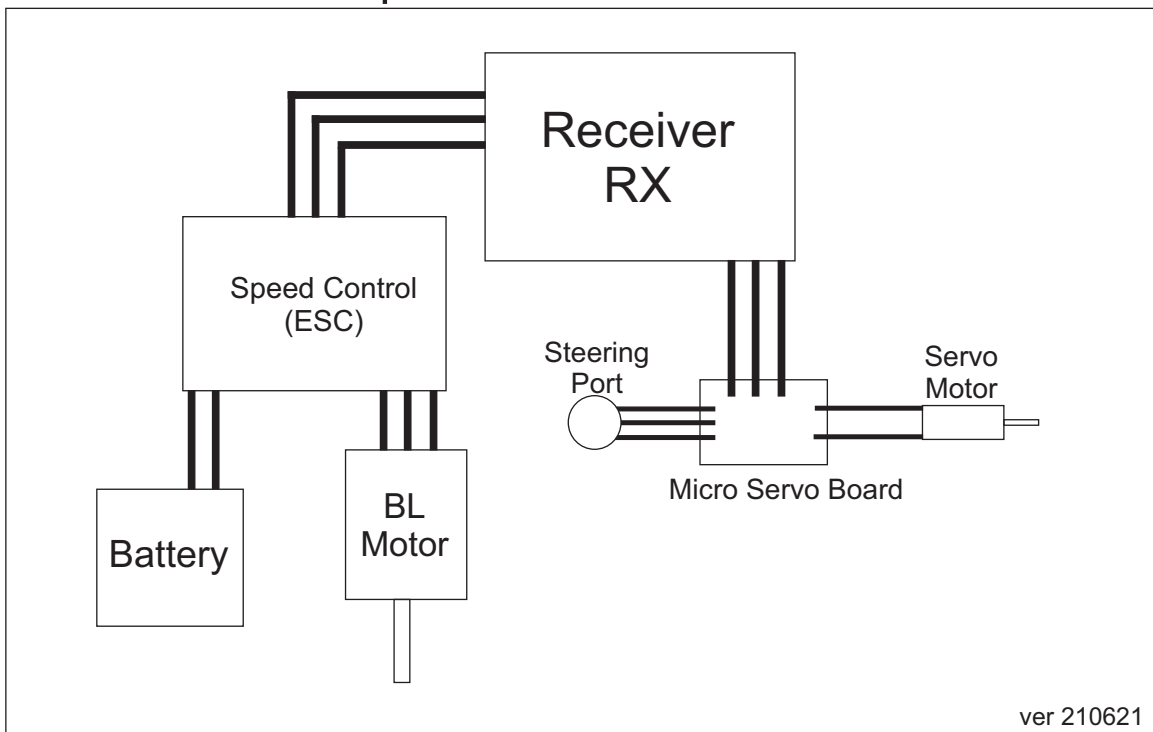
Parts Number 500804C

V4 Programmable Micro Servo Board



* Maximum 6.0 volt in put

Setup for PNR2.5W chassis



Optional purchase separately Programmer #500804P